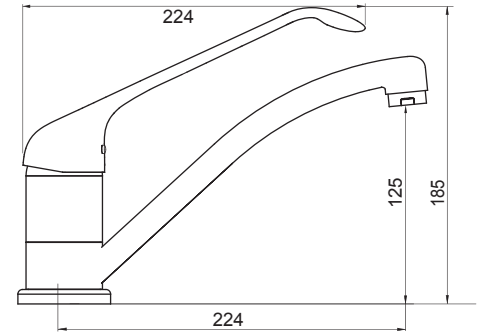


ULTIMATE CARE RANGE

Swivel Sink Mixer



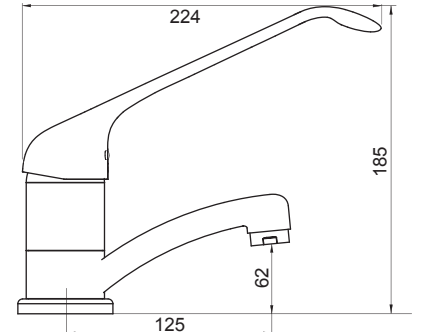
SMX530ADL
6 Star WELS Rated



Swivel Basin Mixer



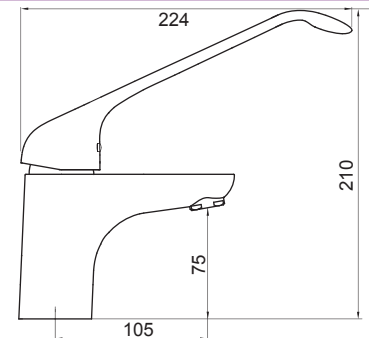
SMX531ADL
6 Star WELS Rated



Fixed Basin Mixer



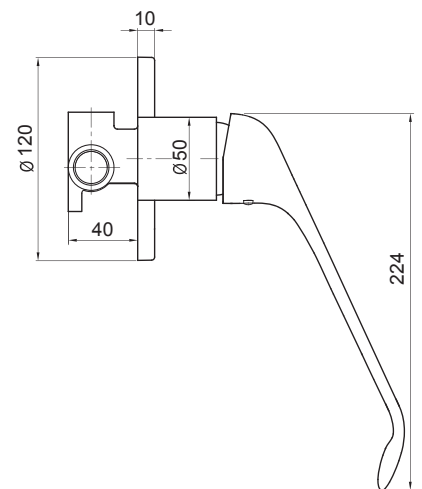
SMX535ADL
6 Star WELS Rated



Shower Mixer



SMX541ADL



*304 GRADE
STAINLESS STEEL

*LEAD FREE MATERIAL

*LIFE LONG TACTILE
SATIN FINISH

*OCCUPATIONAL
THERAPIST VERIFIED

*ACCESS CONSULTANT
APPROVED

*ERGONOMIC HANDLE

*PERMANENT COLOUR
INDICATORS
RED / BLUE / YELLOW

*EASY-CLEAN DESIGN

*MULTI-USE
ENVIRONMENTS

*40MM CARTRIDGE
(10 YEAR WARRANTY)

*REGISTERED DESIGN



Another Innovative Ewing Design

