



# SUPREME CARE RANGE

\*SOLID BRASS  
CONSTRUCTION

\*MIRROR CHROME  
FINISH

\*OCCUPATIONAL  
THERAPIST VERIFIED

\*ACCESS CONSULTANT  
APPROVED

\*ERGONOMIC HANDLE

\*PERMANENT COLOUR  
INDICATORS

\*EASY-CLEAN DESIGN

\*MULTI-USE  
ENVIRONMENTS

\*40MM CARTRIDGE  
(10 YEAR WARRANTY)

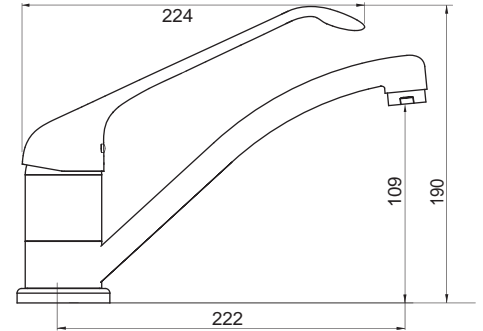
\*REGISTERED DESIGN  
No. AU364718

**EWING**  
CARE SOLUTIONS  
*Leaders in Accessible Tapware*

**Swivel Sink Mixer**



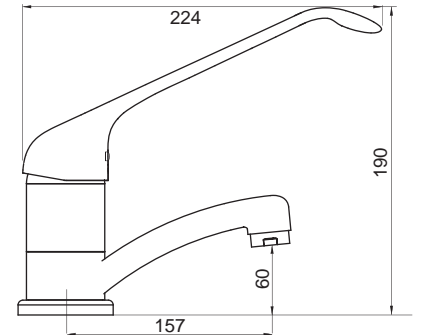
**MX612ADLS**  
4 Star WELS Rated



**Swivel Basin Mixer**



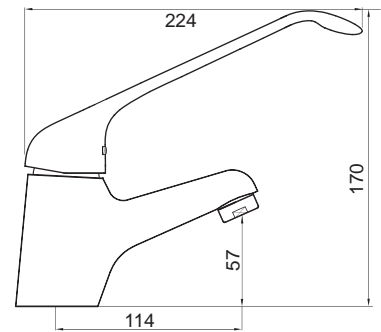
**MX635ADLS**  
5 Star WELS Rated



**Fixed Basin Mixer**



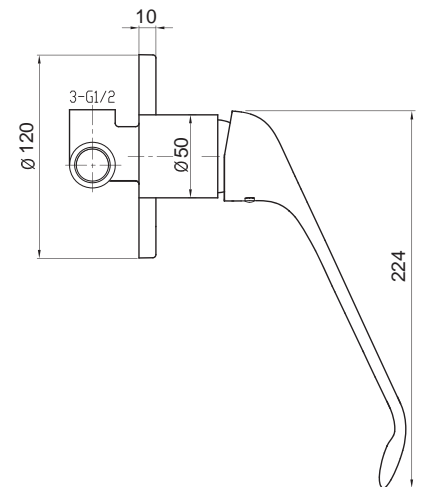
**MX821ADLS**  
5 Star WELS Rated



**Shower Mixer**



**MX841ADLS**



*Another Innovative Ewing Design*

