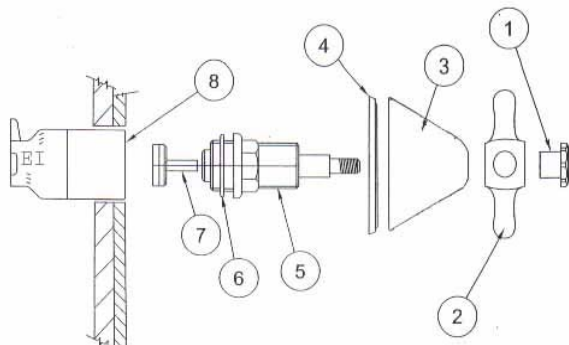




## WALL TOP ASSEMBLIES

Congratulations for purchasing this quality Ewing Tapware Range. Our product is manufactured to the highest quality under strict quality control procedures.



1. Indicator Button
2. Handle
3. Flange
4. Dress Ring
5. Spindle/Tap Head
6. Fibre Washer
7. Jumper Valve
8. Body

### Installation Instructions.

All pipe work must be thoroughly flushed prior to installation, as foreign materials may block the flow-regulating device and reduce the flow in water.

1. Check the recess bodies (8) making sure that they are in good condition and free from any foreign objects.
2. Reseat if required.
3. Screw the Spindle/Tap Head (5) into the Body (8) making sure that the Fibre Washer (6) and the Jumper Valve (7) is in place. Tighten the Spindle (5) with a tube spanner.
4. Place the Dress Ring (4) if supplied and Flange (3) over the Spindle/Tap Head (5) and tighten firmly against the wall by hand.
5. Fit the Handle (2) to the Spindle (5), pushing down firmly. Fit the Indicator Button (1) to Spindle tighten the button firmly against the Handle (2).
6. In a standard operating environment ensure that the HOT Button has been installed on the Left side from the users position

### Installation of Bath Spout, Shower or Laundry Arm

Ensure that the 1/2" BSP wall thread is protruding a suitable distance out of the wall and is free from any damage. (Cut back if need be)

Apply thread seal tape to the thread before screwing the Spout or Shower on. Be sure not to apply too much pressure on the product or over tighten

For after Sales and Service in Australia

Phone: 1800 135 906

Fax: 07 3205 6905

PLEASE RETAIN YOUR PROOF OF PURCHASE

### Warranty.

Thank you for choosing a quality Ewing Product that is manufactured to Australian Standards Requirements. Ewing Tapware (where applicable) has been rated under the Water Efficiency Labelling Scheme (WELS), our WELS licence number is 0037.

### Technical Information

- ◆ Hot and Cold water inlet pressures should be equal.
- ◆ Inlet pressure must not exceed 500kPa.
- ◆ Minimum operating pressure of 150kPa is required.
- ◆ Maximum hot water temperature 80 degrees Celsius.
- ◆ Not suitable for gravity feed systems

### Terms and Conditions.

Ewing Industries undertakes to repair, or at its option replace only, any product, which is defective through faulty workmanship or materials within 12 months of the purchase of the goods.

The warranty period commences from the date of purchase. Ewing Industries reserves the right to provide components as 'parts only' to the customer. This warranty is only applicable for products purchased from an authorised Ewing Industries reseller. The labour component of the warranty does not cover excessive time taken to access or remove the product from its installed location. The warranty is limited to Ewing Industries products only and does not cover other manufactures products, which may be attached to Ewing Industries products.

Warranty may be void due to the following reasons :-

- ◆ Inability to provide proof of purchase.
- ◆ Products are not installed by a licensed plumber or in accordance with relevant industry standards or regulations.
- ◆ The product is exposed to water pressures that are greater than 500kPa and temperatures exceed 80 degrees Celsius.
- ◆ Products used for incorrect applications and in inappropriate locations.
- ◆ Products are cleaned with anything other than a soft cloth soaked with warm water. The use of abrasive cleaners or harsh detergents may void the warranty

### Care and Cleaning.

Clean regularly with warm water and a soft cloth  
Do not use abrasive cleaners or harsh detergents.

### Models

Dallas

San Antonio

Pasadena