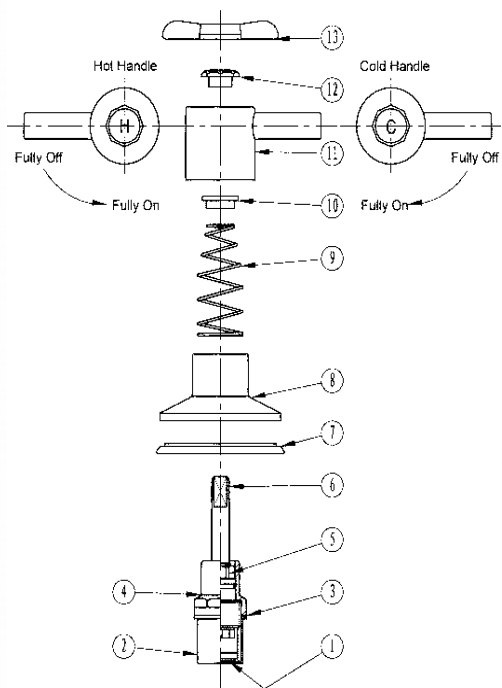




## COMBAT WALL TOP ASSEMBLIES

Congratulations for purchasing this quality Ewing Tapware Range. Our product is manufactured to the highest quality under strict quality control procedures.



1. Cartridge Seal
2. Ceramic Disc
3. Fiber Washer
4. Locking Nut
5. Spindle Nut
6. Spindle
7. Spindle Extension
8. Dress Ring
9. Spring
10. Keeper Ring
11. Lever Handle
12. Button
13. Button Spanner

## **Installation Instructions.**

All pipe work must be thoroughly flushed prior to installation, as foreign materials may block the flow-regulating device and reduce the flow of water.

Please follow these instructions:

1. Check the recess body (8) making sure that the seats are in good condition and free from any foreign objects.
2. **Reseat if required.**
3. Remove the locking nut (4) and the Fiber Washers (5) from the complete Spindle assembly (6). Screw the complete Spindle assembly (6) into the Breech by hand until the cartridge is seated. Now tighten the complete Spindle assembly (6) until firm using a spanner on the Spindle Nut (5). Place the Fiber washer (3) onto the Spindle (6) and screw the Locking Nut (4) back down and tighten with a spanner.
4. Fit the Spindle Extension (7) onto the Locking Nut (4). Fit the Dress Ring (8) if supplied, and the Flange (9). Place Spring over the Spindle(6) and hold down with the keeper ring (10)
5. Fit the Handle (10) to the spindle; Place the Handle (11) in the required position. Fit the Indicator Button (12) to Spindle; tighten the button firmly against the Handle (11) using the Button Spanner (13)
6. In a standard operating environment ensure that the HOT Button has been installed on the Left side from the users position

## Installation of Bath Spout, Shower or Laundry Arm

Ensure that the ½" BSP wall thread is protruding a suitable distance out of the wall and is free from any damage. (Cut back if need be) Apply thread seal tape to the thread before screwing the Spout or Shower on. Be sure not to apply too much pressure on the product or over tighten.

For after Sales and Service in Australia  
 Phone: 1800 135 906  
 Fax: 07 3205 6905  
**PLEASE RETAIN YOUR PROOF OF PURCHASE**

## **Warranty.**

Thank you for choosing a quality Ewing Product that is manufactured to Australian Standards Requirements. Ewing Tapware (where applicable) has been rated under the Water Efficiency Labelling Scheme (WELS), our WELS licence number is 0037.

## **Technical Information**

- ◆ Hot and Cold water inlet pressures should be equal.
- ◆ Inlet pressure must not exceed 500kPa.
- ◆ Minimum operating pressure of 150kPa is required.
- ◆ Maximum hot water temperature 80 degrees Celsius.
- ◆ Not suitable for gravity feed systems

## **Terms and Conditions.**

Ewing Industries undertakes to repair, or at its option replace only, any product, which is defective through faulty workmanship or materials within 12 months of the purchase of the goods. The warranty period commences from the date of purchase. Ewing Industries reserves the right to provide components as 'parts only' to the customer. This warranty is only applicable for products purchased from an authorised Ewing Industries reseller. The labour component of the warranty does not cover excessive time taken to access or remove the product from its installed location. The warranty is limited to Ewing Industries products only and does not cover other manufactures products, which may be attached to Ewing Industries products.

Warranty may be void due to the following reasons :-

- ◆ Inability to provide proof of purchase.
- ◆ Products are not installed by a licensed plumber or in accordance with relevant industry standards or regulations.
- ◆ The product is exposed to water pressures that are greater than 500kPa and temperatures exceed 80 degrees Celsius.
- ◆ Products used for incorrect applications and in inappropriate locations.
- ◆ Products are cleaned with anything other than a soft cloth soaked with warm water. The use of abrasive cleaners or harsh detergents may void the warranty

## **Care and Cleaning.**

Clean regularly with warm water and a soft cloth  
 Do not use abrasive cleaners or harsh detergents.